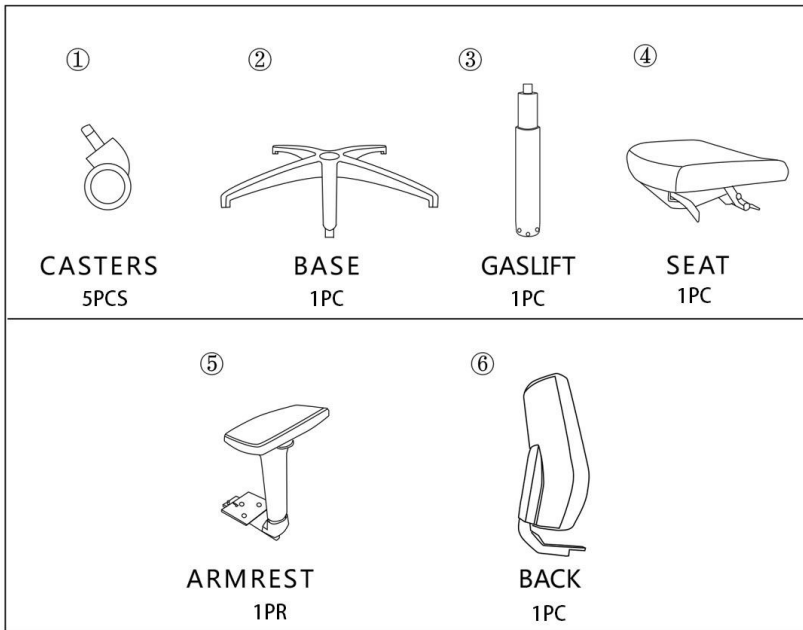


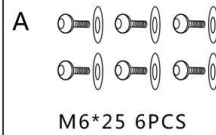
ASSEMBLY INSTRUCTION

PARTS LIST



HARDWARE

Armrest Screws



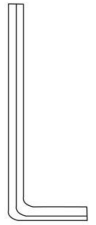
Mechanism Screws



Bracket screws



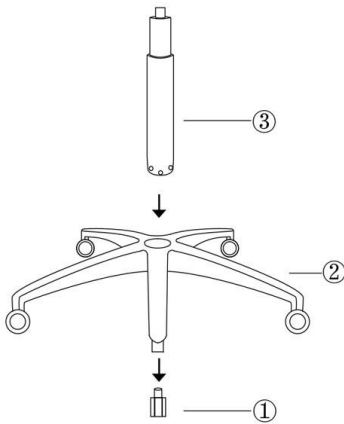
ALLEN
WRENCH



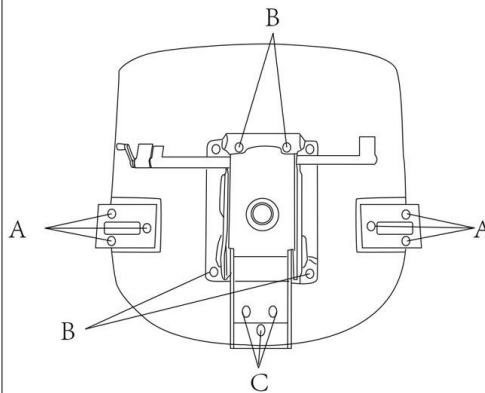
M5

INSTALLATION STEPS

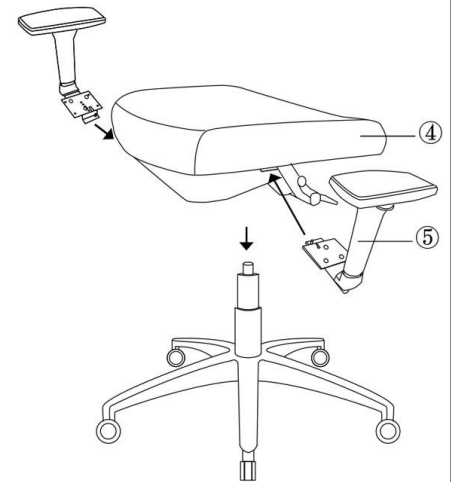
STEP 1 :



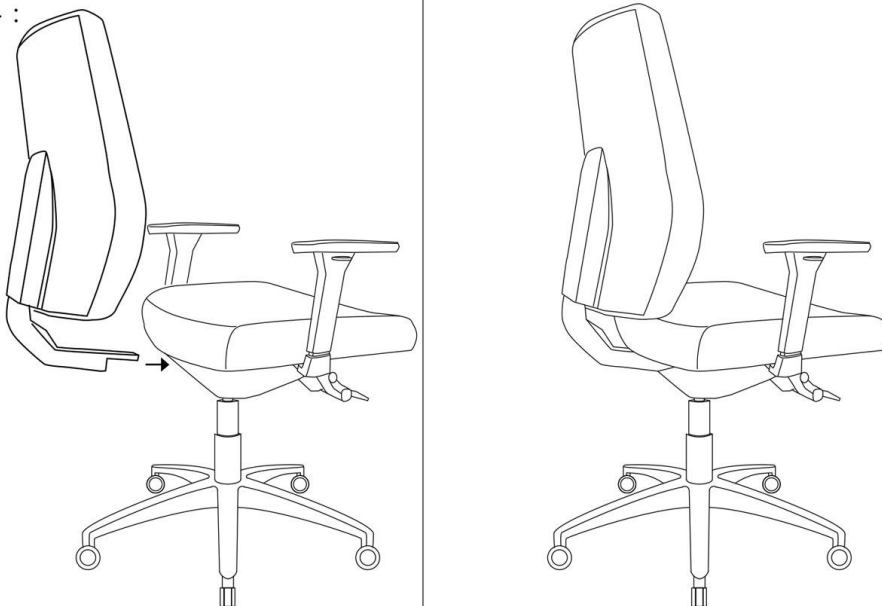
STEP 2 :



STEP 3 :



STEP 4 :



PREVENTIVE MAINTENANCE AND WARNING

USE THIS PRODUCT ONLY FOR SEATING
ONE PERSON AT A TIME.

DO NOT USE THIS CHAIR AS
A STEP STOOL / LADDER.

DO NOT SIT ON ANY PART OF THE CHAIR
EXCEPT THE SEAT.

DO NOT USE CHAIR ON UNEVEN FLOOR SURFACES.

DO NOT USE CHAIR UNLESS ALL BOLTS,
SCREWS ARE TIGHT, AT LEAST EVERY SIX MONTHS
CHECK ALL BOLTS, SCREWS TO BE SURE THEY
ARE TIGHT.

IF ANY PARTS ARE MISSING, BROKEN, DAMAGED
OR WORN, STOP USE OF THE PRODUCT UNTIL
REPAIRS ARE MADE USING
FACTORY AUTHORIZED PARTS.

FAILURE TO FOLLOW THESE WARNINGS COULD
RESULT IN SERIOUS INJURY.